

HPL



TECHNICAL SPECIFICATIONS:

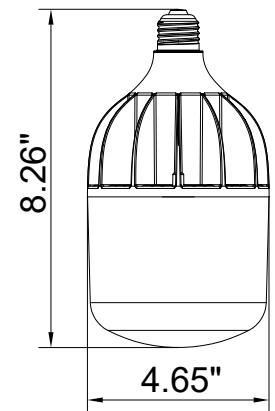
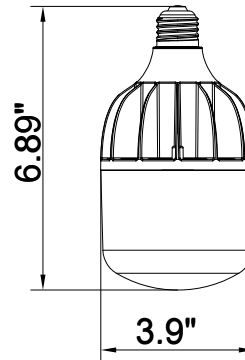
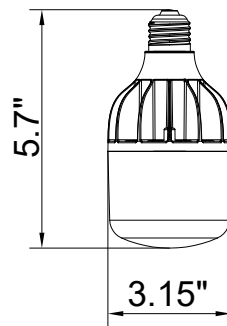
- :: Input voltage: 120-277V AC
- :: CCT: 3000K and 5000K
- :: CRI: >80
- :: Lamp base: E26 Medium Base
- :: Beam angle: 200°
- :: Operating Temp: -4°F~122°F
- :: Life Span: 50,000 hours
- :: 5-year warranty

APPLICATIONS:

- :: Ideal for retrofitting existing HID highbay, shoebox, flood light or wall pack fixtures
- :: Can be used in enclosed luminaires



B1



LED HIGH POWER LAMPS

| CATALOG NO. | WATTS | BASE | LUMENS | COLOR TEMP | REPLACEMENT RANGE | DIMENSIONS |
|-----------------|-------|------|--------|------------|-------------------|-----------------------|
| HPL-16W-50K-E26 | 16W | E26 | 2000LM | 5000K | 30~50 MH | 5.7" (H) x 3.15" (D) |
| HPL-16W-30K-E26 | 16W | E26 | 2000LM | 3000K | 30~50 MH | 5.7" (H) x 3.15" (D) |
| HPL-24W-50K-E26 | 24W | E26 | 3000LM | 5000K | 50~60 MH | 6.89" (H) x 3.9" (D) |
| HPL-24W-30K-E26 | 24W | E26 | 3000LM | 3000K | 50~60 MH | 6.89" (H) x 3.9" (D) |
| HPL-32W-50K-E26 | 32W | E26 | 4000LM | 5000K | 50~70 MH | 8.26" (H) x 4.65" (D) |
| HPL-32W-30K-E26 | 32W | E26 | 4000LM | 3000K | 50~70 MH | 8.26" (H) x 4.65" (D) |
| HPL-40W-50K-E26 | 40W | E26 | 5000LM | 5000K | 50~100 MH | 8.26" (H) x 4.65" (D) |
| HPL-40W-30K-E26 | 40W | E26 | 5000LM | 3000K | 50~100 MH | 8.26" (H) x 4.65" (D) |

HPL-HB



TECHNICAL SPECIFICATIONS:

- :: Input voltage: 120-277V A
- :: CCT: 5000K
- :: CRI: >80
- :: Lamp base: E39 Mogul Base
- :: Beam angle: 120°
- :: Operating Temp: -4°F~122°F
- :: Life Span: 50,000 hours
- :: 5-year warranty

APPLICATIONS:

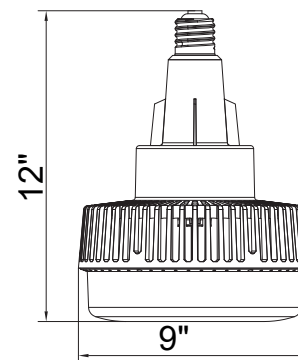
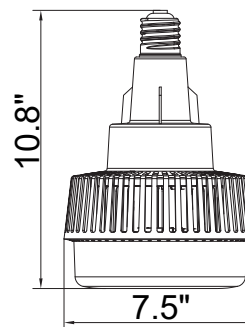
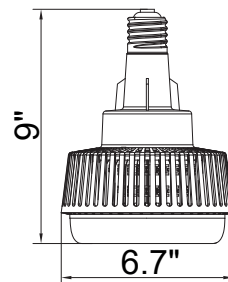
- :: Ideal for retrofitting existing HID highbay, shoebox, flood light or wall pack fixtures
- :: Can be used in enclosed luminaires



B1



Shown with Optional Reflector



LED HIGH POWER LAMPS

| CATALOG NO. | WATTS | BASE | LUMENS | COLOR TEMP | REPLACEMENT RANGE | DIMENSIONS |
|---------------------|-------|---|---------|------------|-------------------|----------------------|
| HPL-HB-60W-50K-E39 | 60W | E39 | 6480LM | 5000K | 70~125 MH | 9" (H) x 6.7" (D) |
| HPL-HB-75W-50K-E39 | 75W | E39 | 8100LM | 5000K | 70~175 MH | 10.8" (H) x 7.5" (D) |
| HPL-HB-120W-50K-E39 | 120W | E39 | 13000LM | 5000K | 175~200 MH | 12" (H) x 9" (D) |
| HPL-HB-140W-50K-E39 | 140W | E39 | 15120LM | 5000K | 200~400 MH | 12" (H) x 9" (D) |
| HPL-HB-R1 | | Optional PC Reflector for HPL-HB-60W | | | | |
| HPL-HB-R2 | | Optional PC Reflector for HPL-HB-75W | | | | |
| HPL-HB-R3 | | Optional PC Reflector for HPL-HB-120W & HPL-HB-140W | | | | |